



## EnerSol 80

— 0/+5 WP POSITIVE TOLERANCE

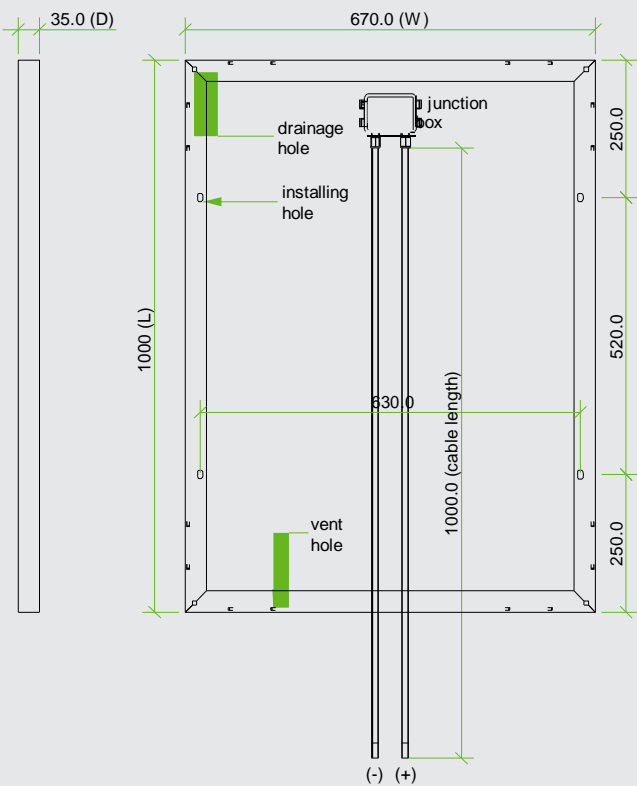
🏠 ROOFTOP AND OFF-GRID DESIGN

✓ HIGH QUALITY

25 year linear performance warranty  
10 year product warranty

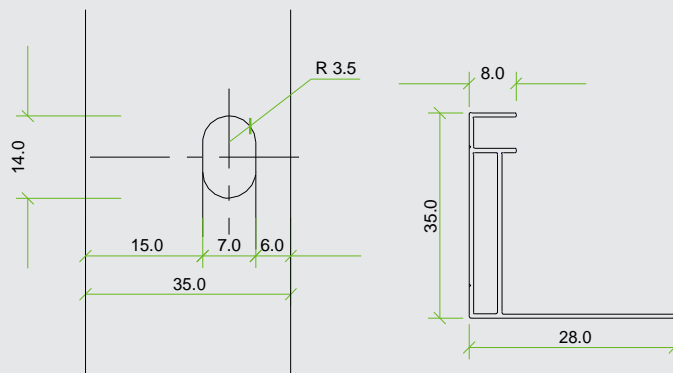


# EnerSol 80



## General characteristics

Cell	Polycrystalline solar cell 156 x 93 mm
No. of Cells (Connections)	36 (4x9)
Panel Dimensions	1000 x 670 x 35 mm
Weight	7.5 kg
Connectors and Cables	Connectors and 1m cables



## Thermal conditions

Normal Operating Cell Temperature 800W/m <sup>2</sup> Irradiance, 20°C, AM = 1.5	48°C ± 2°C
Power Temperature Coefficient	- 0.5%/K
Current Temperature Coefficient	0.035%/K
Voltage Temperature Coefficient	- 0.37 MV/K

## Limits

Operating Temperature	- 40°C to 85°C
Maximum System Voltage	1000V DC

## Electric performance at STC \*

Maximum Power	80 Wp
Power Tolerance	0/+5 Wp
Maximum Power Voltage	18 V
Maximum Power Current	4.44 A
Open Circuit Voltage	22.1 V
Short Circuit Current	5.56 A

\*Standard Test Conditions : 1000W/m<sup>2</sup> irradiance, 25°C and AM = 1.5

## High performance

**25** 25 Years  
linear performance

**10** 10 Years  
product warranty

